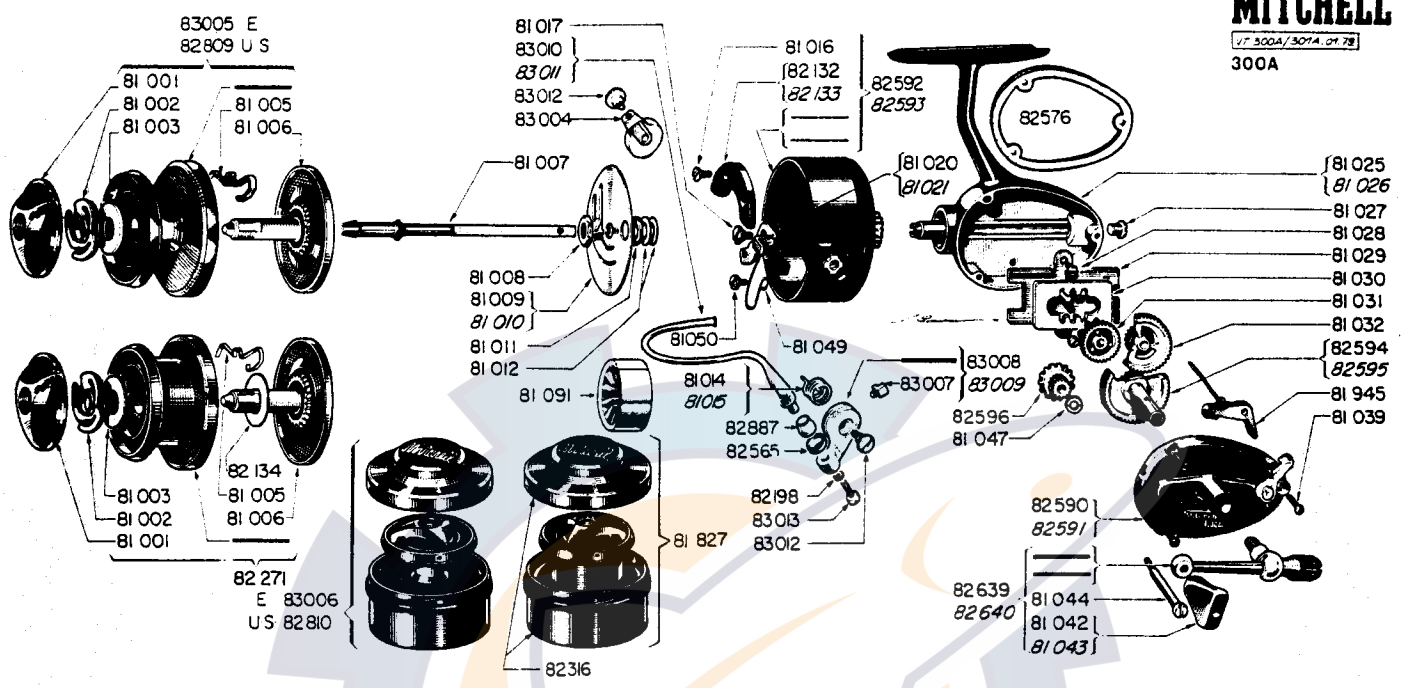


MITCHELL
 17 300A/307A 01 79
300A



CODE NO.	DESCRIPTION	SUGGESTED RETAIL	CODE NO.	DESCRIPTION	SUGGESTED RETAIL
81001	Drag Adjusting Knob	.60	81945	Anti Reverse Dog	.60
81002	Brake Spring	1.05	82132	Right Counterweight	.90
81003	Teflon Drag Washer	.25	82133	Left Counterweight	.90
81005	Click Spring	.40	82134	Fiber Washer	.25
81006	Spindle	2.45	82198	Bail Wire Lock Washer	.25
81007	Axle	2.40	*82271	Spool Comp. small less container	3.65
81008	Hex Nut	.25	82316	Spool Container	1.10
81009	Baffle Plate	.95	82565	Line Guide Race	.65
81010	Baffle Plate	.95	82576	Cover Plate Seal	.60
81011	Baffle Plate Washer	.25	82590	Cover Plate	6.50
81012	Shims to Adj. Head Baffle Plate	.25	82591	Cover Plate	6.50
81014	Bail Spring	.45	82592	Rotating Head	8.05
81015	Bail Spring	.45	82593	Rotating Head	8.05
81016	Counterweight Screw	.25	82594	Drive Gear	5.25
81017	Trip Lever Screw	.25	82595	Drive Gear	5.25
81020	Trip Lever	.85	82596	Pinion Gear	2.65
81021	Trip Lever	.85	82639	Handle Complete	3.80
81025	Housing	8.05	82640	Handle Complete	3.80
81026	Housing	8.05	*82809	Spool Comp. large less container	5.00
81027	Lube Port Screw	.25	82810	Spool Comp. large with container	5.50
81028	Oscillation Guide Screw	.25	82887	Line Guide	1.20
81029	Oscillation Guide	.95	83004	Bail Wire Bracket	1.50
81030	Oscillation Slide	.95	*83005	Spool Comp. large less container	7.25
81031	Pivot Gear	1.10	83006	Spool Large Comp. with container	5.50
81032	Transfer Gear	1.10	83007	Bail Bumper	.30
81039	Cover Screw	.25	83008	Bail Wire Mount	2.10
81042	Handle Knob	.60	83009	Bail Wire Mount	2.10
81043	Handle Knob	.60	83010	Bail Wire	4.45
81044	Handle Knob Screw	.60	83011	Bail Wire	4.45
81047	Shims to Adj. Pinion Gear	.25	83012	Bail Wire Screw N 1	.45
81049	Trip Lever Spring	.25	83013	Line Guide Screw	.45
81050	Trip Lever Spring Screw	.25			
81091	Spool Arbor	1.00			
81827	Spool Comp. small with Container	5.05			

*When present inventory is depleted, this part will be replaced by another number. Please refer to chart in back of book.